

T-WAY

4x4 Cab Chassis
AD190T36W



Overseas model shown.
Illustration may contain optional features to the model.

ENGINE

Power: 360hp (265kW) @ 2200rpm
Torque: 1650Nm @ 925rpm

TRANSMISSION

12 Speed Automated Manual

MASS RATINGS

GVM: 20500kg
GCM: 44000kg

WHEELBASE

4500mm (Standard)
3800mm, 4200mm (Optional)

KEY FEATURES

- Electronic Braking System with Off-road mode
- Transmission interarder and Engine brake
- Compliant to Euro VI_STEP E Emission standard
- Full LED Headlights with cornering fog lights
- 7" Infotainment system with Apple CarPlay®, Android Auto®
- Climate control HVAC system
- IVECO Telematics

*For available options & details see the next pages.

WARRANTY*

Standard Warranty	2 Years/500,000km/6,000 hours (whichever occurs first)	
Extended Warranty	Optional - up to 5 Years/500,000km/6,000 hours (whichever occurs first)	
	Driveline Only	Driveline & other components
Driveline	•	
Extra Driveline	•	•

MAINTENANCE & REPAIR CONTRACT*

	Maintenance	Friction	Repair
Service Bond	•		
Friction	•	•	
Easy Road	•	•	•

Contracts available up to 5 Years/500,000km/6,000 hours (whichever occurs first)

*Please refer to the 'Standard Inclusions List' at your IVECO dealer.

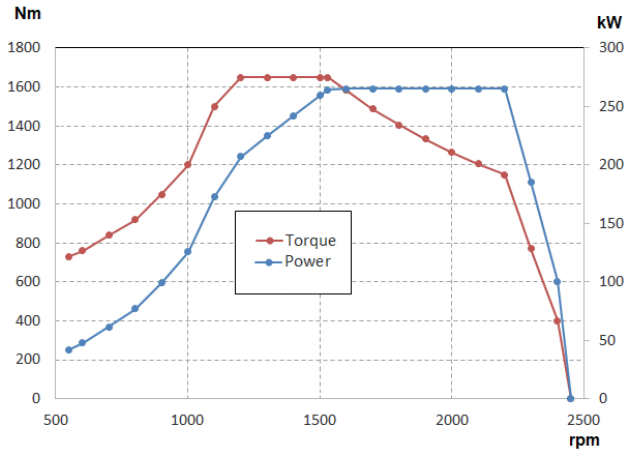
IVECO
Drive the road of change



4x4 Cab Chassis AD190T36W

ENGINE

Engine Model	Cursor 9 (Standard)	Cursor 13 (Optional)
Total Displacement	8,710cm ³	12,900cm ³
Maximum Power	360hp (265kW) @ 2200rpm	410hp (302kW) @ 1900rpm
Maximum Torque	1650Nm @ 925rpm	2100Nm @ 1000rpm



Injection type	Direct	Direct
Fuel Injection system	Common rail	Common rail
Bore & Stroke	117 & 135mm	135 & 150mm
After-Treatment System	Hi-e SCR after-treatment system with DOC: Diesel Oxydation Catalyst DPF: Diesel Particulate Filter SCR: Selective Catalytic Reduction CUC: Clean Up Catalyst	
Emission Compliance	Euro VI STEP E	

TRANSMISSION

Description	Automated Manual Transmission (AMT)		
Make & Model	With Cursor 9 (Standard) Hi-Tronix 12TX 1810 TO	Only with Cursor 13 (Optional) Hi-Tronix 16TX 2240 TO	
Clutch	Single dry plate, Outer diameter: 430mm		
Shifter type	Dash mounted electronic shifter with column mounted sequential shifter		
Gear ratios: Hi-Tronix 12TX 1810 TO	1st: 12.92	7th: 2.83	
	2nd: 9.98	8th: 2.19	
	3rd: 7.67	9th: 1.68	
	4th: 5.94	10th: 1.30	
	5th: 4.57	11th: 1.00	
	6th: 3.53	12th: 0.77	
	Rev 1: 12.09	Rev 3: 2.64	
	Rev 2: 9.29	Rev 4: 2.04	
	Gear ratios: Hi-Tronix 16TX 2240 TO	1st: 14.68	9th: 3.22
		2nd: 12.05	10th: 2.64
3rd: 9.92		11th: 2.17	
4th: 8.14		12th: 1.78	
5th: 6.78		13th: 1.49	
6th: 5.56		14th: 1.22	
7th: 4.57		15th: 1.00	
8th: 3.75		16th: 0.82	
Rev 1: 14.14		Rev 3: 3.10	
Rev 2: 11.61		Rev 4: 2.54	

POWER TAKE-OFF

Rear engine PTO (Standard)	Type: Flange - Adapter: DIN 10 (6-hole) Nominal Torque Output: 800Nm for Cursor 13 Running direction: Opposite to engine Weight: 16.7kg
Gearbox Power Take-off Opening	Equipped
PTO Control	Equipped with activation switch and electrics

TRANSFER BOX

Model Name	TC 1800 (Standard)	TC 2200 (With C13 only)
Number of speeds	2	
OFF ROAD/ Low Ratio	1.6	
ON ROAD/ Normal Ratio	1.0	

DRIVE AXLE(S) RATIO

Drive Axle(s) Ratio	4.67
---------------------	------

PERFORMANCE

Turning circle (Kerb to kerb)	19300mm
Engine RPM @ 100km/h	1828
Road speed limiter	100km/h, Conforms to ADR65
Gradeability ¹ @ Rated GVM	100% (with 1:6 Transfer ratio)
Gradeability ¹ @ Rated GCM	63.7% (with 1:6 Transfer ratio)

¹This is theoretically calculated. Actual performance may vary under different conditions.

AXLE & SUSPENSION

Front Axle Model & Type	IVECO 5985/2D Drive axle - Hub reduction
Front suspension	Reinforced parabolic suspension with dampers
FA & suspension capacity	8000kg
Front Stabiliser bar	Equipped, Diameter: 40mm
Rear Axle Model & Type	IVECO 451391/2D - Hub reduction
Rear suspension	3 Leaf parabolic suspension
Rear dampers	Equipped
RA & suspension capacity	13000kg
Rear Stabiliser bar	Equipped, Diameter: 55mm
Differential Locks on drive axles (OFF & ON ROAD Mode)	Equipped

BRAKES & AUXILIARY BRAKES

Type/Control	Full air/Electronic Braking System (EBS) - Off road mode - ABS (Anti-lock Braking System) - ASR (Anti-Skid Regulator) - DPI (Direct Brake Integration) - BAS (Brake Assistant System) - BVR (Brake Lining Wear Adjustment) - ARB (Hill Holder) - if fitted
Front axle	Drum brakes 410mm / Friction area : 2884cm ²
Rear axle	Drum brakes 410mm / Friction area : 3220cm ²
Engine brake with 3 level retardation	Equipped
Transmission Intarder	Equipped

WHEELS & TYRES

Rim Type	10-Stud Steel wheel (ISO type) PCD 335mm
Rim size	Front 11.75" x 22.50" Rear 9.00" x 22.50"
Tyre size	Front 385/65/R22.5 Rear 315/80/R22.5



4x4 Cab Chassis AD190T36W

CHASSIS

Dimensions	304.4x80x7.7mm
Chassis width (at rear)	771.4mm
Material	Steel
Tensile strength	610 N/mm ²
Exhaust Pipe	Chassis mounted ATS & Vertical exhaust pipe Chassis mounted ATS & Horizontal exhaust pipe (Optional)
Air Tanks	Aluminium
Front tow hook	Equipped
Towing cross member (D=200kN)	Equipped

FUEL & ADBLUE® TANK

Fuel Tank with lockable cap	550L
AdBlue® Tank	60L

FUEL SAVING FEATURES

GPS-Predictive Drive	Optional
Eco-Roll	Optional
EcoSwitch	Optional

SAFETY FEATURES

Lane Departure Warning System (LDWS)	Optional
Tyre pressure monitoring system (TPMS)	Optional
Reverse Buzzer	Equipped
Daytime Running Lamp (DRL)	Equipped
ECE-R29.03 Cab Strength Certification	Equipped

ELECTRICAL & ELECTRONICS

Voltage	24V System
Batteries	2x 12 Volt/170Ah Batteries
Electrical battery cutout	Equipped
Battery position	Horizontal on side frame - LHS
Alternator	28 Volt/90A
Fleet Management System data interface (FMS)	Equipped
Chassis mounted jump start plug	Equipped
CAN OPEN Bodybuilder interface	Equipped
LED Headlamp - Low beam	Equipped
LED Headlamp - High beam	Equipped
Fog light with cornering & bending	Equipped
LED Rear lights	Equipped
Provision for roof rotating lights	Equipped with harness & switch in cab 2x LED Roof rotating lights (Optional)
Chassis mounted pneumatic horn	Equipped
7-pin trailer connection	Equipped
USB charging ports (TYPE A)	Equipped
12 Volt power socket	Equipped

STEERING

Telescopic & Tilt adjustable steering column	Equipped
Steering wheel	Leather steering wheel with following: - Controls for the information screen - Controls for the phone - Activation for voice recognition - Controls for radio/media volume

CAB EXTERIOR

Cab type	Day cab with low roof - 2300mm wide
----------	-------------------------------------

Cab tilt mechanism	Servo assisted cab tilt - Controls located under the front flap.
Cab mounting	Mechanical spring suspended front and rear
Windscreen Wipers	Automatic - Rain sensing 2 Speed with Integrated Washer Nozzles
Front Bumper	Multi-piece steel front bumper with foldable step
Headlight protection grid	Equipped
Rearview mirrors	2 x Motorised, heated flat main mirrors & convex spotters 1 x LHS kerb view & front view mirrors
External Sunvisor	Equipped
Colour	White IC 194

CAB INTERIOR

Seating capacity	Two Optional: Three
Driver Seat	Fabric, Air suspended, Heated, 3-Way adjustable seat Optional: Fabric, Air suspended, Ventilated, High comfort seat
Passenger Seat	Fabric, Air suspended, Heated, 3-Way adjustable seat
Seat Belt	3-point Lap/Sash type
Sun visor & overhead consoles	Equipped on both driver & Passenger side
Multimedia unit	7" LCD HD touch screen display DAB + AM/FM radio USB input, Bluetooth® connectivity Smart phone mirroring - Apple CarPlay® - Android Auto® Voice recognition In built TomTom Satellite navigation system Reverse/Side camera compatible
Climate control HVAC System	Equipped
3 x keys with Immobiliser and remote central locking	Equipped
Power Windows	Equipped
Roof hatch	Equipped
Cup holders	Equipped
Interior lighting	LED Internal Lights
Rollup sun blinds for doors	Equipped

GENUINE ACCESSORY OPTIONS

- Phone cradle	- Rubber floor mats
- Cameras	- Seat covers
- Foot well Liners	- Weather shields

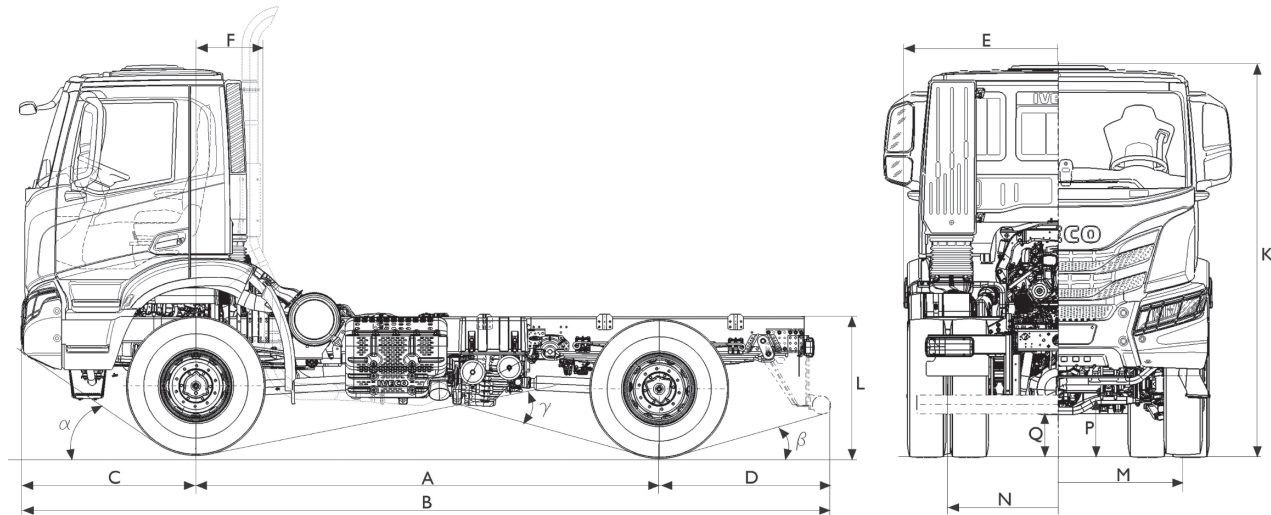
Please check with your dealer for availability and price.

IVECO TELEMATICS

Telematics Hardware	Equipped (GSM & GPS & Antenna & 4G SIM) with provision for mobile cradle. Equipped. Features include: - MYIVECO Smart report - MYIVECO Web portal
Smart connectivity pack	- MYIVECO Vehicle monitoring & remote assistance - MYIVECO Easy Way app
Premium pack	Optional

MODEL CODE: AD190T36W

Application Rigid



DIMENSIONS & WEIGHTS

Wheelbase (A)	4500mm	4200mm	3800mm
Overall length (B)	7932mm	7077mm	6672mm
Max width over fenders (E)	2500mm		
Front axle to back of cab (F)	480mm (580mm with CI3 or vertical exhaust)		
Frame height at end of frame, unladen (L)	1181mm	1181mm	1181mm
Front overhang (C)	1440mm		
Rear overhang (D)	1780mm	1195mm	1195mm
Minimum ground clearance (front) (P)	346mm		
Minimum ground clearance (rear) (Q)	286mm		
Overall height to top of cab, unladen (K)	3213mm	3213mm	3213mm
Turning diameter kerb to kerb	19300mm	18400mm	17200mm
Turning diameter wall to wall	20900mm	20000mm	18800mm
Front track (M)	1981mm		
Rear track (N)	1827mm		
Approach angle α (°)	32°	32°	32°
Departure angle β (°) with OPT: I94	10°	15°	15°
Ramp angle γ (°)	20°	21°	26°
Total vehicle kerb weight*	7480kg	7383kg	7360kg
Kerbweight on Front Axle*	5077kg	5061kg	5010kg
Kerbweight on Rear Axle*	2403kg	2322kg	2350kg
Gross Vehicle Mass (Plated)	20500kg		
Gross Combination Mass (Plated)	44000kg		

*Indicative chassis tare mass with Standard options, without fuel, Adblue® and driver. $\pm 3\%$ tolerance apply. Optional CI3 engine mass is 442kg.

IVECO TRUCKS AUSTRALIA LIMITED ABN 86 004 065 061 LEVEL 10, 14 MASON STREET, DANDENONG, VICTORIA 3175 PO BOX 117 DANDENONG, VICTORIA 3175 TELEPHONE (03) 9238 2200 WWW.IVECO.COM.AU
THE INFORMATION IN THIS DOCUMENT WAS CORRECT AT THE TIME OF PRINTING. THE DATA IN THIS DOCUMENT IS APPROXIMATE. IF AN EXACT WEIGHT OR DIMENSION IS REQUIRED PLEASE CONTACT YOUR LOCAL AUTHORIZED IVECO DEALER. ALWAYS CONSULT AN AUTHORIZED IVECO DEALER FOR THE LATEST INFORMATION ON THE VEHICLE BEFORE DECIDING TO PLACE AN ORDER. OVERSEAS IMAGES ARE SHOWN THROUGHOUT THIS DOCUMENT AND IMAGES MAY REFER TO EQUIPMENT THAT IS OPTIONAL. THE MODELS DESCRIBED CAN BE SUBJECT TO MODIFICATIONS WITHOUT ANY NOTICE BY THE MANUFACTURER. IVE3128-4X4CC-SS. 10/2023.